

# SMART+GUARD PROTECTIVE COVER

Manufactured in the UK by VimpeX, Smart+Guard is a tough polycarbonate hinged protective cover that can easily be installed over a range of call points, emergency switches and other devices to provide protection from vandalism, accidental damage or misuse.

Available with an integral battery powered alarm, that when lifted emits an ear piercing 90 dB alarm, warning the user that the device is for emergency use only and should not be tampered with.

## FEATURES

- Aesthetically pleasing but tough retrofitable protective cover
- Easy to install and can be fitted and protecting devices in minutes
- Optional battery powered 90 dB alarm can be fitted increasing the security and protection of the device it is covering
- Alarm has a 3 year battery life and incorporates a low battery warning LED
- A break seal can also be fitted to increase the visible deterrence against misuse
- Available in 5 colours: red, green, yellow, blue and white
- Three surface mounting spacers are available 18 mm, 32 mm (standard) and 50 mm
- Weatherproof version available with 40mm back box

## PART NUMBERS

Part No:

|   |  |
|---|--|
| SG-F-x  | Indoor, No Sounder, Flush Mounting                 |
| SG-S-x  | Indoor, No Sounder, Surface Mounting               |
| SG-FS-x   | Indoor, Integral Sounder, Flush Mounting           |
| SG-SS-x   | Indoor, Integral Sounder, Surface Mounting         |
| SG-BBR-x  | Smart+Guard, No Sounder in WP Back Box             |
| SG-BBRS-x   | Smart+Guard, Integral Sounder in Red WP Back Box   |
| SG-BBC-x  | Smart+Guard, No Sounder in WP Clear Back Box       |
| SG-BBCS-x   | Smart+Guard, Integral Sounder in WP Clear Back Box |
| SG-SMS18  | Surface Mounting Spacer 18 mm Deep                 |
| SG-SMS32  | Surface Mounting Spacer 32 mm Deep                 |
| (Supplied as standard with surface mount models)                  |  |
| SG-SMS50  | Surface Mounting Spacer 50 mm Deep                 |
| x = R for Red, Y for Yellow, G for Green, B for Blue, W for White |  |

## SPARES AND SERVICE REPLACEMENTS

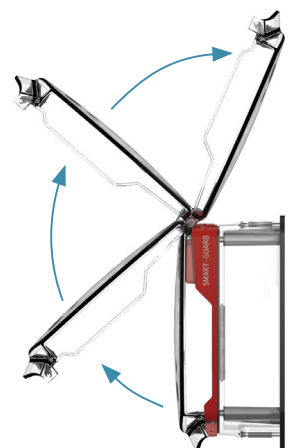
Part No:

|          |  |
|----------|--|
| SG-BS10  | Smart+Guard Break Seals, Pack of 10                      |
| SG-SP5   | Smart+Guard Service Pins, Pack of 5                      |
| SG-WK001 | Smart+Guard Surface Mount Weatherproof Kit (2 x Gaskets) |
| SG-BBR   | Back Box, Red  |
| SG-BBC   | Back Box, Clear  |



Break seal component for added security

Fully rotational hinge provides increased protection against vandalism



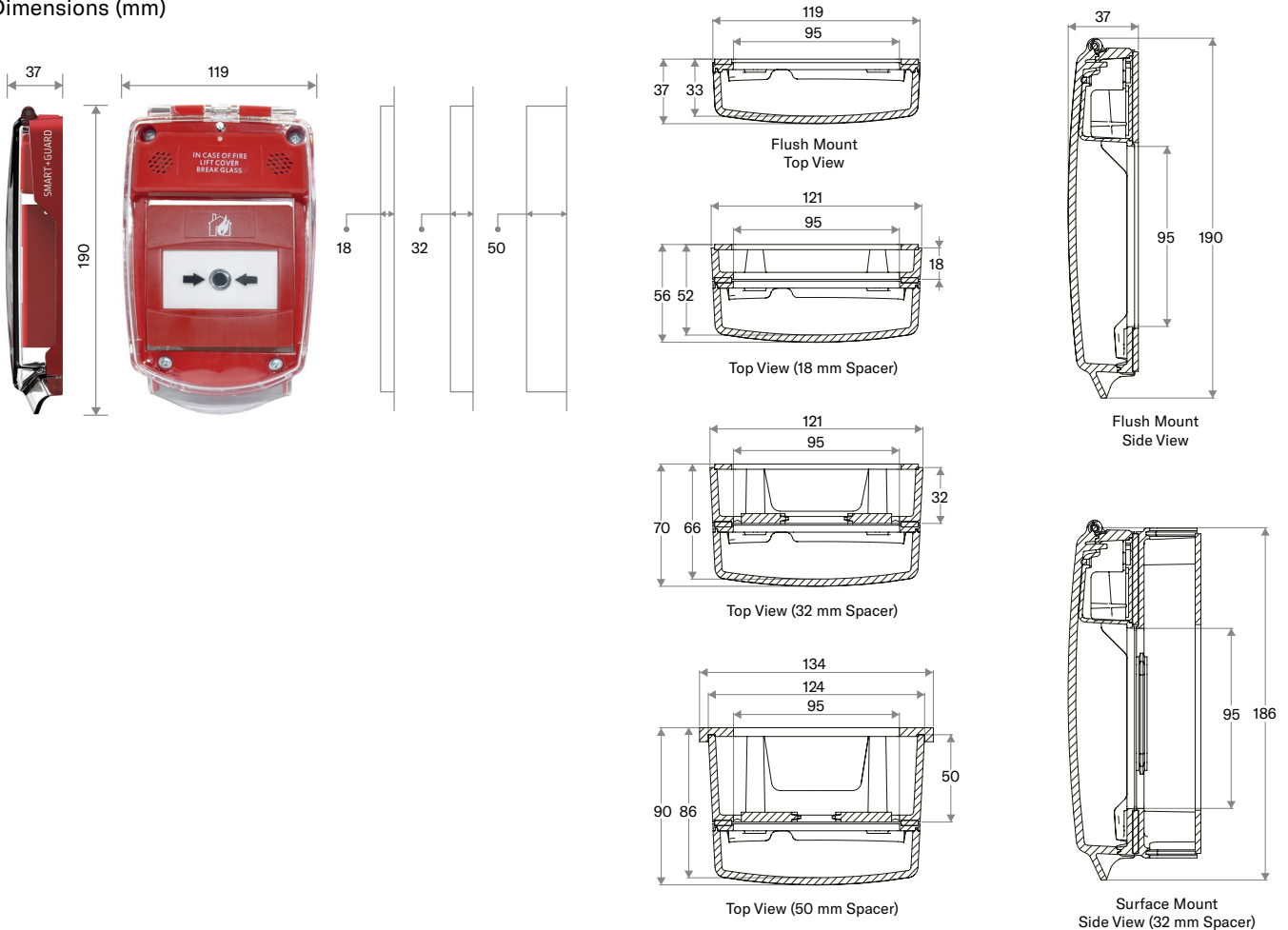
### COLOURS



# SMART+GUARD PROTECTIVE COVER

## INSTALLATION

### Dimensions (mm)



DS/3700059/ISS 6

We reserve the right to change or amend any design or specification in line with our policy of continuing development and improvement.

**Vimpex LTD**  
Star Lane, Great Wakering,  
Essex SS3 0PJ, UK  
t. +44 (0) 1702 216999  
e. sales@vimpex.co.uk  
[www.vimpex.co.uk](http://www.vimpex.co.uk)

**Vimpex Interguard AB**  
t. +46 (0) 36 37 10 65  
e. sales@vimpex.se



**VIMPEX**