

IDENTIFIRE DOUBLE BACKBOX KITS

The Identifire Double Backbox has been designed and created to give designers and installers the ability to combine 2 Identifire products neatly and efficiently into one unit.

The Backbox can be purchased individually or as part of a kit, including the Mini PSU/Relay kit - a perfect solution for localised door holders.

Like all Identifire products the kits are available in available in red and white.

Application notes on different wiring configurations or applications are available on request.



Part Number - Double Backbox

10-9010WXX-S
10-9010RXX-S

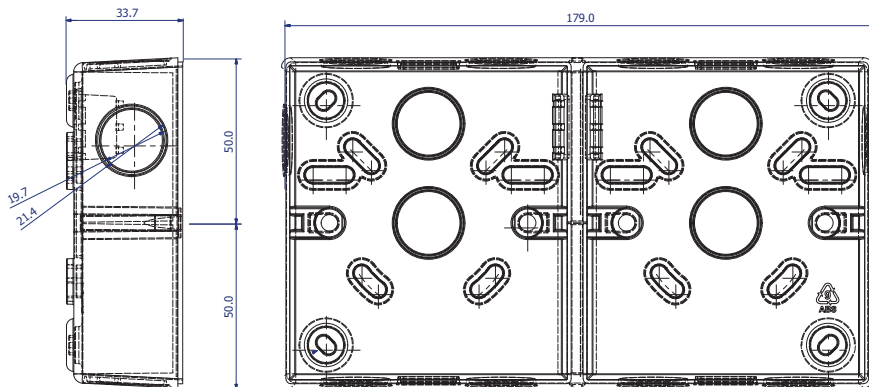
Identifire Double Backbox - White
Identifire Double Backbox - Red

Part Numbers - Kits

10-9011WXX-KIT

Identifire Mini PSU & Relay Kit

Dimensional Drawing



IDENTIFIRE

- / Perfect solution for combining two devices
- / Available in red and white
- / Mini PSU and Relay kit available
- / Capability of creating mains powered Sounder/Sounder VID/VID
- / Side knockouts to combine 2 or more double backboxes
- / Fixings for most globally recognised wall backboxes

Approvals



3700159_REV0100
We reserve the right to change or amend any design or specification in line with our policy of continuing development and improvement.

Vimpex Ltd, Star Lane, Great Wakering, Essex, SS3 0PJ, UK
Vimpex Europe BV / Vimpex Sweden AB

+44 (0) 1702 216 999 / sales@vimpex.co.uk / vimpex.co.uk

Registered in England No.2915112 Registered Address: Star Lane, Great Wakering, Essex, SS30PJ, United Kingdom



Quality System Certificate No. 456
Assessed to ISO 9001