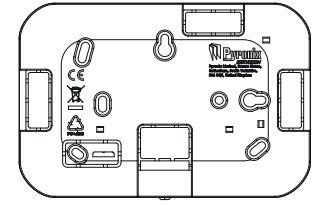
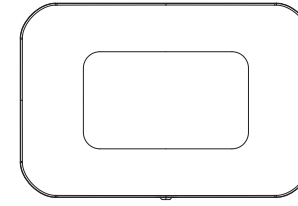
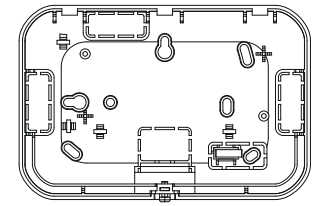
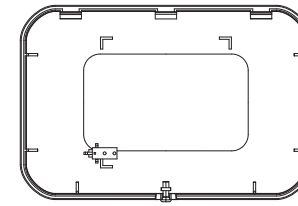
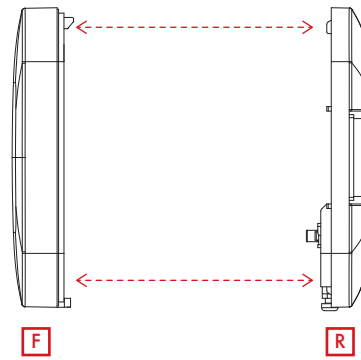
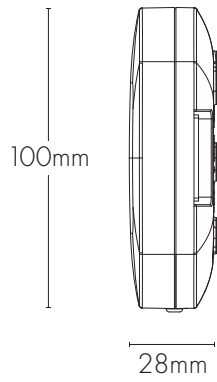
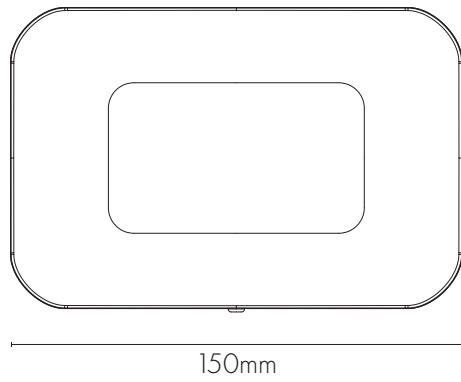


ABS plastic adaptable enclosure

Partcode: ZEM8/E+P-BOX

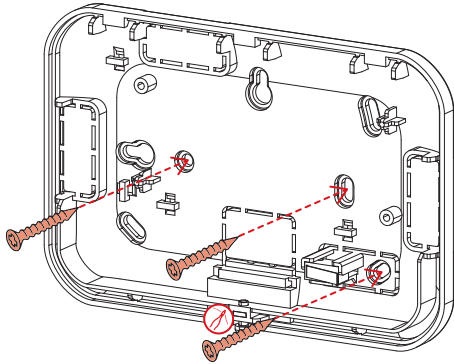
Document Reference: WEB021-01



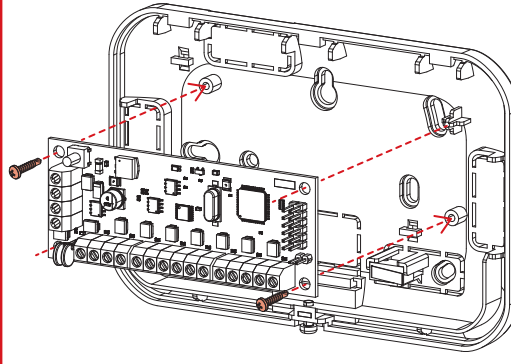
F

R

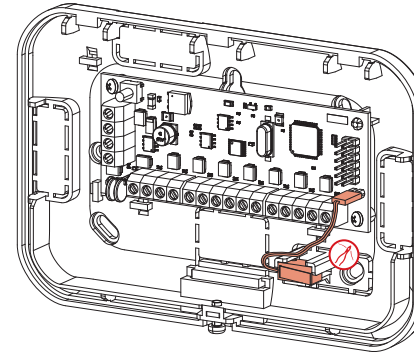
i



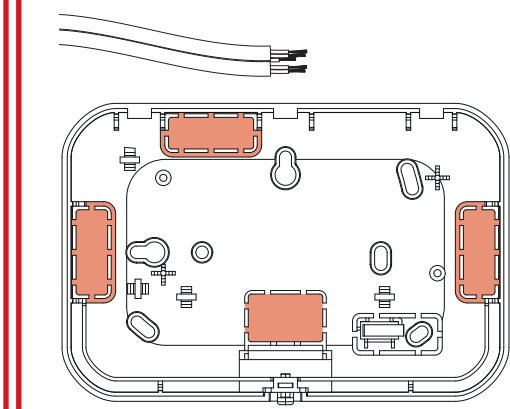
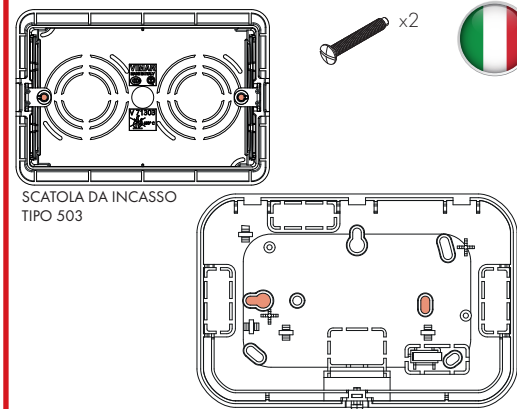
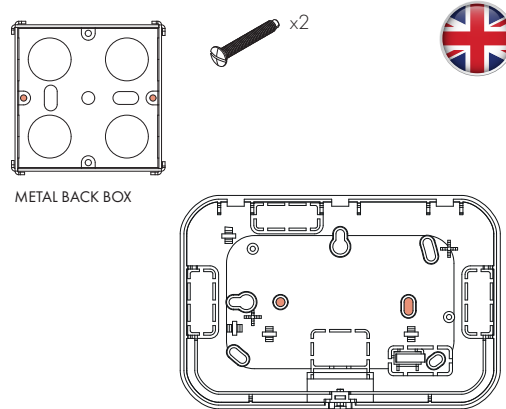
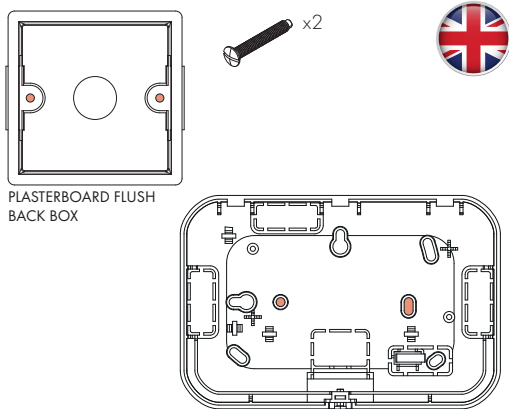
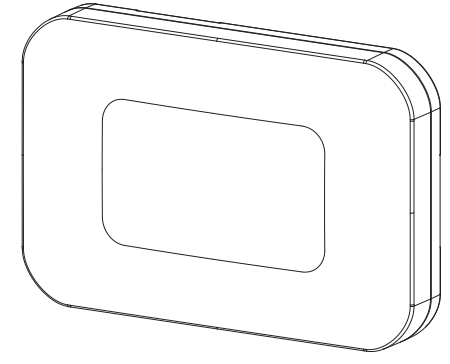
ii



iii



iv



ZEM8/E Installation Guide

Partcode: ZEM8/E+P-BOX



Document Reference: WEB021-01

EN 50131-1: 2006 + A1: 2009 + A2: 2017
 EN 50131-3: 2009
 EN 50130-4: 2011 + A1: 2014
 EN 50130-5: 2011
 Security grade (SG) 3
 Environmental class (EC) II



Dimensions and weight

Please see diagram for dimensions and weight of product.

RS485 bus wiring

Connect the expander to the control panel as shown in the wiring diagram.

Addressing the expander

Using a two pin jumper, address the expander as the next available expander on the RS485 bus. Once the jumpers are on the correct headers, press and hold the reset button for 5 seconds.

Please see the table for help addressing the expander.

Expander tamper

An external tamper can be wired to the expander. This double pole circuit is wired between the 'COM' and 'T' terminals. If the two pin header labelled 'HOLD OFF' is linked out, this bypasses the external tamper, overrides it and keeps the tamper circuit closed.

LEDs

The green power LED will illuminate when power is applied to the expander.

Input wiring

The inputs must be wired DEOL or 3EOL between a 'COM' and a zone terminal. Please see diagram for an example of 3EOL wiring.

Please note: The resistors used are decided by the option selected in menu 'CHOOSE MODE' or 'WIRING CHOICE' in the control panel. For this option and assistance on zone wiring, please see control panel guides for more details.

Inertia inputs

If any of the expander inputs are being used as inertia inputs, then the expander must be used in the 1k/1k resistance wiring range.

Fuse protection

Each 12VDC auxiliary output is protected by a 350mA PPTC fuse which should not be exceeded. The fuse will trip when either the load surpasses the fuses maximum capacity or there is a short circuit. These fuses will reset when the issue that is causing the fuse to trip is rectified.

Specifications

Input voltage

~9-16VDC

Humidity

~85% @ 25 °c

Current consumption

Quiescent: ~20mA @ 12VDC

Dimensions and weight (W x H x D)

PCB: 100 x 40 x 14mm, 33.5g
 P-BOX: 150 X 100 X 28mm, 170g

Tamper switches

Closed loop circuit wired to terminals

Temperature

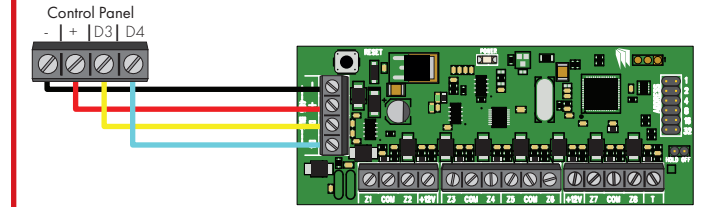
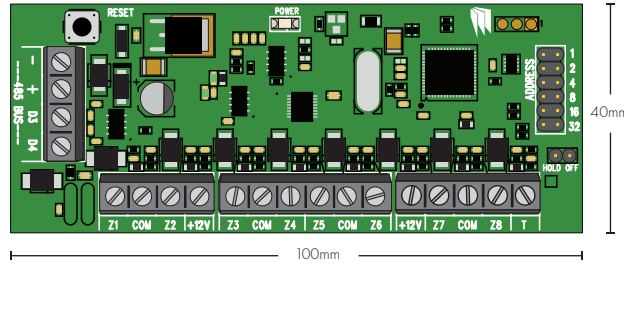
Storage: -40°C to +80°C
 Operating: -10°C to +40°C

Product information

Applies to electrical products sold within the European community. At the end of the electrical product's life, do not dispose of it with household waste. Where possible, recycle the product. Check with your Local Authority or retailer for recycling advice in your country. When disposing of the product, the battery must be removed and disposed of separately in accordance with the local regulations. Hereby Pyronix declares that this product is in compliance with the essential requirements and other relevant provisions of Directive 2014/30/EU and 2011/65/EU and SI 2012 No 2032 and SI 2016 No. 1091. The declaration of conformity may be consulted at www.pyronix.com/product-compliance.php

Warranty

This product is sold subject to our standard warranty conditions and is warranted against defects in workmanship for a period of two years. In the interest of continuing care and design, Pyronix Ltd reserves the right to amend specifications without giving prior notice.



Jumper Headers	Expander Address																																
	0	1	2	3	4	5	6	7	8	9	10	11	12	13	14	15	16	17	18	19	20	21	22	23	24	25	26	27	28	29	30	31	32
1	X	✓	X	✓	X	✓	X	✓	X	✓	X	✓	X	✓	X	✓	X	✓	X	✓	X	✓	X	✓	X	✓	X	✓	X	✓	X	✓	X
2	X	X	✓	✓	X	X	✓	✓	X	X	✓	✓	X	X	✓	✓	X	X	✓	✓	X	X	✓	✓	X	X	✓	✓	X	X	✓	✓	X
4	X	X	X	X	✓	✓	✓	✓	X	X	X	X	✓	✓	✓	✓	X	X	X	X	✓	✓	✓	✓	X	X	X	X	✓	✓	✓	✓	X
8	X	X	X	X	X	X	X	✓	✓	✓	✓	✓	✓	✓	✓	✓	X	X	X	X	X	X	X	✓	✓	✓	✓	✓	✓	✓	✓	✓	X
16	X	X	X	X	X	X	X	X	X	X	X	X	X	X	X	X	✓	✓	✓	✓	✓	✓	✓	✓	✓	✓	✓	✓	✓	✓	✓	✓	X
32	X	X	X	X	X	X	X	X	X	X	X	X	X	X	X	X	X	X	X	X	X	X	X	X	X	X	X	X	X	X	X	X	✓

