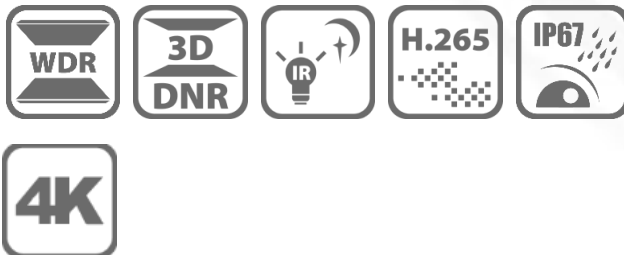


IPC-T680H-Z 8 MP IR VF Network Turret Camera



Key Features

- 1/2.5" progressive scan CMOS
- 3840 × 2160@15fps
- 2.8 mm to 12 mm vari-focal lens
- H.265+, H.265, H.264+, H.264
- Dual stream
- 120dB WDR
- 3D DNR
- SD Card
- PoE
- Up to 30 m IR range
- IP67, IK 10

Specifications

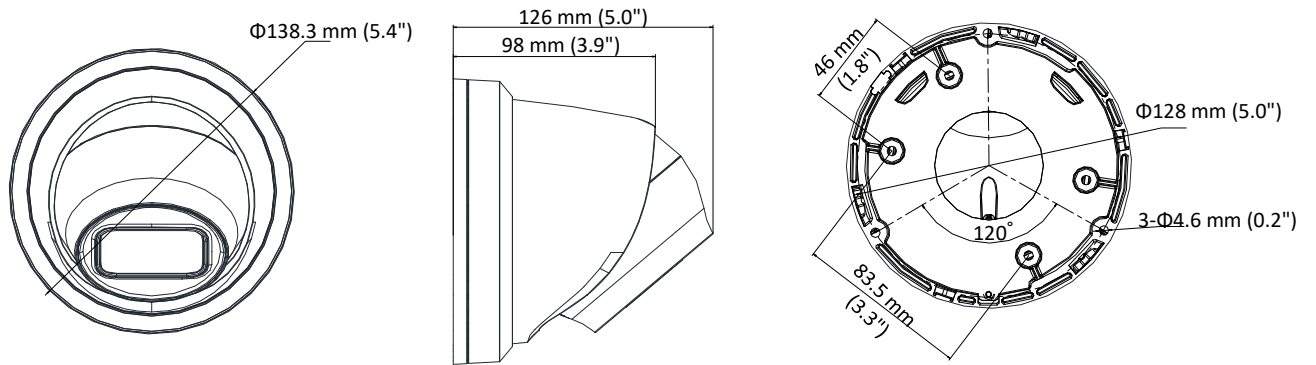
Camera	
Image Sensor	1/2.5" progressive scan CMOS
Min. Illumination	Color: 0.018 Lux @ (F1.6, AGC ON)
Shutter Speed	1/3 s to 1/100,000 s
Slow Shutter	Yes
Auto-Iris	No
Day & Night	IR cut filter with auto switch
3-Axis Adjustment	Pan: 0° to 355°, tilt: 0° to 75°, rotation: 0° to 355°
DNR (Digital Noise Reduction)	3D DNR
WDR (Wide Dynamic Range)	120 dB
Lens	
Focal Length	2.8 to 12 mm
Aperture	F1.6
Focus	Auto
FOV	Horizontal FOV 105° to 34.5°, vertical FOV 55° to 19°, diagonal FOV 125° to 40°
Lens Mount	Ø14
IR	
IR Range	Up to 30 m
Wavelength	850nm
Compression Standard	
Video Compression	Main stream: H.265/H.264 Sub stream: H.265/H.264/MJPEG
H.264 Type	Baseline profile/Main profile/High profile
H.264+	Main stream supports
H.265 Type	Main profile
H.265+	Main stream supports
Video Bit Rate	32 Kbps to 16 Mbps
Smart Feature-set	
Region of Interest	Support 1 fixed region for main stream
Image	
Max. Resolution	3840 × 2160
Main Stream Max. Frame Rate	50Hz: 12.5fps (3840 × 2160), 20fps (3072 × 1728), 25fps (2560 × 1440, 1920 × 1080, 1280 × 720) 60Hz: 15fps (3840 × 2160), 20fps (3072 × 1728), 30fps (2560 × 1440, 1920 × 1080, 1280 × 720)
Sub-stream Max. Frame Rate	50Hz: 25fps (640 × 480, 640 × 360, 320 × 240) 60Hz: 30fps (640 × 480, 640 × 360, 320 × 240)
Image Enhancement	BLC/HLC/3D DNR
Image Settings	Saturation, brightness, contrast, sharpness, AGC, and white balance adjustable by client software or web browser
Day/Night Switch	Day/Night/Auto/Schedule/Triggered by Alarm In (-S)
* Note: The frame rate of the sub-stream cannot exceed the maximum frame rate of the current main stream.	
Network	
Alarm Trigger	Motion detection, video tampering, network disconnected, IP address conflict, illegal login, HDD error, HDD full
Network Storage	microSD/SDHC/SDXC card (128 G), local storage and NAS (NFS, SMB/CIFS), ANR

	Together with high-end Hikvision memory card, memory card encryption and health detection are supported.
Protocols	TCP/IP, UDP, ICMP, HTTP, HTTPS, FTP, DHCP, DNS, DDNS, RTP, RTSP, RTCP, PPPoE, NTP, UPnP, SMTP, SNMP, IGMP, 802.1X, QoS, IPv6, UDP, Bonjour, SSL/TLS
General Function	Anti-flicker, three streams, heartbeat, mirror, privacy masks, password reset via e-mail, pixel counter, HTTP listening
API	ONVIF(PROFILE S, PROFILE G), ISAPI, SDK
Simultaneous Live View	Up to 6 channels
User/Host	Up to 32 users 3 levels: Administrator, Operator and User
Client	HiLookVision PC Client, HiLookVision App
Web Browser	Plug-in required live view: IE8+ Plug-in free live view: Chrome 57.0+, Firefox 52.0+, Safari 11+ Local Service: Chrome 41.0+, Firefox 30.0+
Interface	
Communication Interface	1 RJ45 10M/100M self-adaptive Ethernet port
On-board Storage	Built-in microSD/SDHC/SDXC slot, up to 128 GB
Reset Button	Yes
General	
Operating Conditions	-30 °C to 60°C (-22 °F to 140°F), humidity: 95% or less (non-condensing)
Power Supply	12 VDC ± 25%, PoE (802.3af), class 3
Power Consumption	12 VDC, 1 A, Max. 11 W PoE (802.3af, 36 V to 57 V), 0.4 A to 0.2 A, Max. 12.5 W
Ingress Protection	IP 67, IK 10
Material	Metal
Dimensions	Camera: Φ 138.3 × 126 mm (Φ 5.4" × 5.0") With package: 170 mm × 170 mm × 150 mm (6.7" × 6.7" × 5.9")
Weight	Camera: 560 g (1.2 lb.) With package: 850g (1.9 lb.)

Available Model

IPC-T680H-Z(2.8 to 12 mm)

Dimensions



Accessories



HIA-B402-DM45
Wall Mount



HIA-J104-DM21
Junction Box