

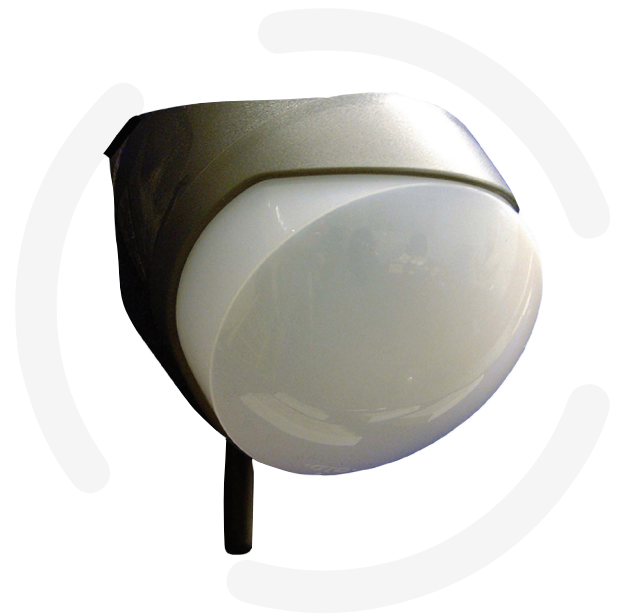
Opal RFX Wireless Detector

The Opal RFX is a robust external 35 metre passive Infra-Red intruder detector, designed to detect and transmit reliable event-based triggers to the weatherproof RFX-3 Receiver.

These combined units enable simultaneous or individual control of cameras, DVR's and virtually all low voltage switching requirements.

On installation the integral, dual axis bracket of the sensor allows 180° of pan and 90° tilt to ensure the accurate aiming of the detection beams. The ABS vandal resistant housing has a UV stabilised translucent front cover to provide additional protection to the optics.

All activity signals are directed to their respective volt free outputs and in addition there are a further nine individual monitoring and information outputs.

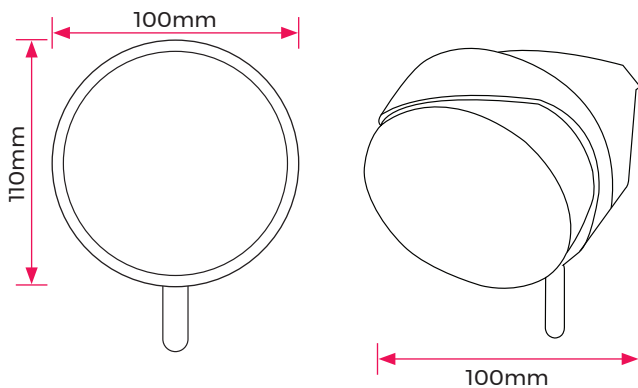


PRODUCT CODES

GJD017 RFX-3 Receiver

GJD018 Opal RFX

DIMENSIONS



FEATURES

- Fully adjustable range
- Wireless detector
- Battery powered
- UV stabilised high impact ABS housing
- White-light filter

BENEFITS

- IP55 rated
- Low voltage
- Energy efficient
- Weatherproof
- Cost efficient
- Covert sensor module

SPECIFICATIONS

OPAL RFX Wireless Detector	
Supply	2 x AAA Alkaline batteries 1.5V (not supplied) Low power - typical battery life 2 years
Transmission	433.92 MHz frequency - SAW stabilised 150 metres line-of-sight
Detection Area	10 to 35m (adjustable) up to 750 sq m
Coverage	35m x 30m - 90° multifunction lens
Adjustment	180° pan and 90° tilt
Fresnel lens	36 zone
Optics	Double silicon shielded dual element eliminates 50,000+ lux of white light
Mounting	3m high for multibeam coverage, 6m high for curtain coverage and 1.5m with mask for pet immunity
Processing	Intelligent signal processing. Non volatile memory 16 million possible identification codes
Features	Area reduction mask (if required) Detection signal timer output 0.4 to 60 secs. Light level signal output 2 lux to daylight Pulse count 1, 2 & 3
Temperature	-20° C + 55° C
Enclosure	IP55 rated Ultra violet stabilised high impact ABS
Weight	152 grams

RFX 3 Receiver	
Supply	12VDC @ 35mA nominal (9 to 15VDC max)
Reception	Monitors signal from up to 3 Opal RFX PIR's with high selectivity SAW filter
Outputs (CCTV)	3 x independent volt free outputs. Selectable normally open (form A) or normally close (form B) Timers 0.4 to 60 seconds after last detection
Outputs (A)	3 x independent switching - ve outputs (24hr) rated @ 25mA - 0.4 seconds on detection
Outputs (LUX)	1 x photocell controlled -ve switching Adjustable: Dusk (2 lux) to 24 hour Active 60 seconds after last detection
Tamper	Housing back and front tamper volt free output (form B)
RF Output	3 x independent RF/loss of signal -ve switching rated @250mA
Low Battery	Output - ve switching rated @250mA
Testing	Independent channel active indicators attendance reporting
Processing	Intelligent digital signal processing Plug in code memory transfer system Non volatile memory
Temperature	-20° C + 55° C
Enclosure	Weatherproof IP65 ABS housing
Weight	340 grams

RFX-3 RECEIVER BLOCK DIAGRAM

