

Cloud communicators for i-on



Simple set up

Quick and easy menus provide the user or installer the ability to connect the panel to a routers Wi-Fi network in no time at all with the COM-DATA-WIFI and the COM-DATA-4G-WIFI.

Secure Connectivity

Tested by Eaton's Cyber-Security Centre of Excellence, The COM-DATA-4G, COM-DATA-4G-WIFI, and the COM-DATA-WIFI are designed with security in their DNA, using class-leading protection against digital threats.

Always Connected

The COM-DATA-4G and the COM-DATA-4G-WIFI provide consistent connectivity to Eaton SecureConnect™ via Mobile networks, no need to worry about power cuts or poor broadband connections

Independent connectivity

No need to connect to a router with the COM-DATA-4G and the COM-DATA-4G-WIFI, Ideal for temporary installations or premises without an internet connection.

Adaptive Technology

The COM-DATA-4G and the COM-DATA-4G-WIFI provide automatic switching between LAN (Wi-Fi or Ethernet) and Mobile (4G, 3G and 2G) technology.

One Module for all Installs

The COM-DATA-4G-WIFI allow the installer to carry just one module, whether it be mobile-only, Wi-Fi only or Wi-Fi with mobile as a backup connection, the module has the built-in flexibility to cater for all of them.

At a glance...

COM-DATA-WIFI

- Direct programming interface via keypad
- Secure connectivity over Wi-Fi network
- Internal and External antenna

COM-DATA-4G-WIFI

- Direct programming interface via keypad
- Secure connectivity over Wi-Fi network
- Internal and External antenna
- Wi-Fi, 4G, 3G and 2G technology
- Secure connectivity over mobile network
- Dual path connectivity to Eaton SecureConnect

COM-DATA-4G

- Direct programming interface via keypad
- Secure connectivity over mobile network
- Internal and External antenna
- 4G, 3G and 2G technology
- Dual path connectivity to Eaton SecureConnect™

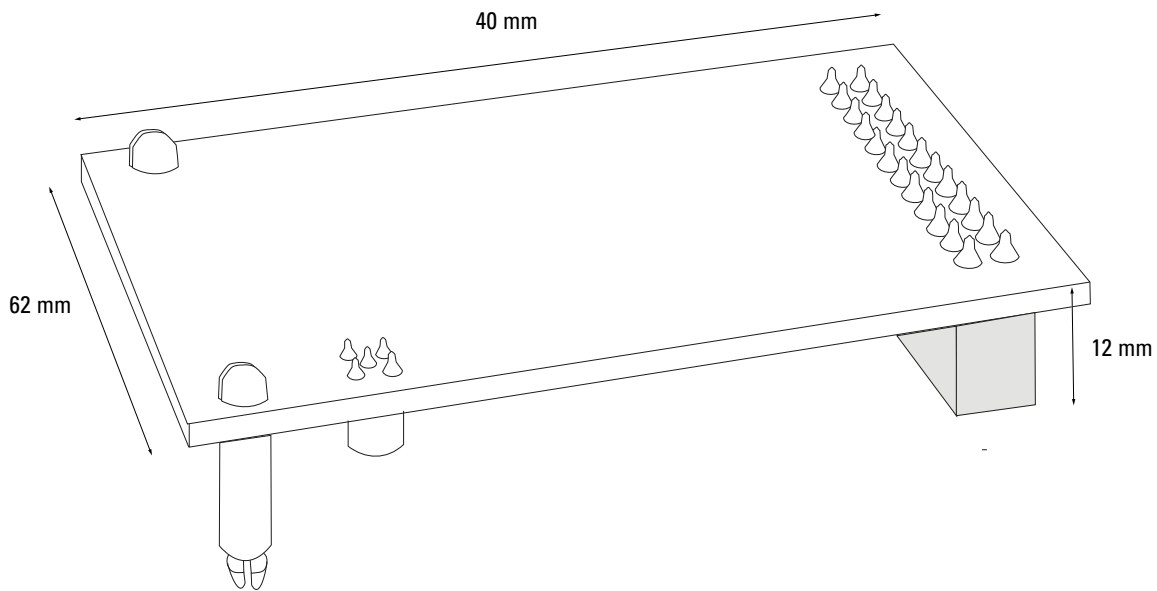


Powering Business Worldwide

Scantronic product data sheet

Product specification

Product Code	COM-DATA-WIFI	COM-DATA-4G-WIFI	COM-DATA-4G
Power supply	12Vdc; 100mA max (when active); 35mA quiescent	12Vdc; 240mA max (when active); 50mA quiescent	12Vdc; 240mA max (when active); 15mA quiescent
Weight	19g	19g	19g
Operating temperature	-10°C to +55°C	-10°C to +55°C	-10°C to +55°C
Humidity	0-93% non-condensing	0-93% non-condensing	0-93% non-condensing
Environmental	Class II	Class II	Class II
Wi-Fi capability	2.4GHz, IEEE 802.11 B/G/N; Max power 18dBm.	2.4GHz, IEEE 802.11 B/G/N; Max power 18dBm.	N/A
Antenna	Built-in, and MMCX connector for external antenna (included in the box)	Built-in, and MMCX connector for external antenna (included in the box)	Built-in, and MMCX connector for external antenna (included in the box)
Intrusion Standards	EN 50131-10:2014; EN 50136-2:2013	EN 50131-10:2014; EN 50136-2:2013	EN 50131-10:2014; EN 50136-2:2013
ATS Class	EN 50136-2 SP2	EN 50136-2 SP2	EN 50136-2 SP2
SIM card	N/A	Micro SIM (3FF) that supports 4G with fallback to 3G/2G.	Micro SIM (3FF) that supports 4G with fallback to 3G/2G.
4G (LTE) capability	N/A	2100MHz (B1), 1800MHz (B3), 2600MHz (B7), 900MHz (B8), 800MHz (B20), 700MHz (B28); Max power 23dBm.	2100MHz (B1), 1800MHz (B3), 2600MHz (B7), 900MHz (B8), 800MHz (B20), 700MHz (B28); Max power 23dBm.
3G (UMTS) capability	N/A	2100MHz (B1), 900MHz (B8); Max power 23dBm	2100MHz (B1), 900MHz (B8); Max power 23dBm
2G (GSM/GPRS/EDGE) capability	N/A	900MHz Max power 33dBm, 1800MHz Max power 30dBm.	900MHz Max power 33dBm, 1800MHz Max power 30dBm.
Mobile network	N/A	Requires a data SIM card and network provider that supports at least 2G, 3G or 4G	Requires a data SIM card and network provider that supports 2G, 3G or 4G



Compare product compatibility with our easy to read chart: www.eaton.com/security-works-with

Eaton
Electrical Sector
EMEA Route de la Longeraie 7
1110 Morges, Switzerland

Eaton Electrical Products Ltd
Security House,
Vantage Point Business Village,
Mitcheldean, Gloucestershire
GL17 0SX

Tel: +44 (0)1594 545 400
Email: securitysales@eaton.com
Web: www.myscantronic.com

Eaton is a registered trademark of Eaton Corporation.

All other trademarks are property of their respective owners.