

DVR-204G-K1 TURBO HD DVR

Key Feature

- Deep learning based human and vehicle targets classification of Motion Detection 2.0
- H.265 Pro+/H.265 Pro/H.265/H.264+/H.264 video compression
- HDTVI/AHD/CVI/CVBS/IP video input
- Audio via coaxial cable
- Up to 5-ch IP camera inputs (up to 2 MP)
- Up to 1080p Lite@15 fps encoding capability
- Max. 1200 m for 720p HDTVI signal



Smart Function

- Deep learning-based motion detection 2.0

Compression and Recording

- H.265 Pro+ video compression improves encoding efficiency, and reduces data storage costs
- Support 1080p Lite of all channels. When 1080p Lite is on, the image effect is similar with 1080p

Storage and Playback

- 1 SATA interface (up to 4 TB capacity)
- Smart search for efficient playback

Network & Ethernet Access

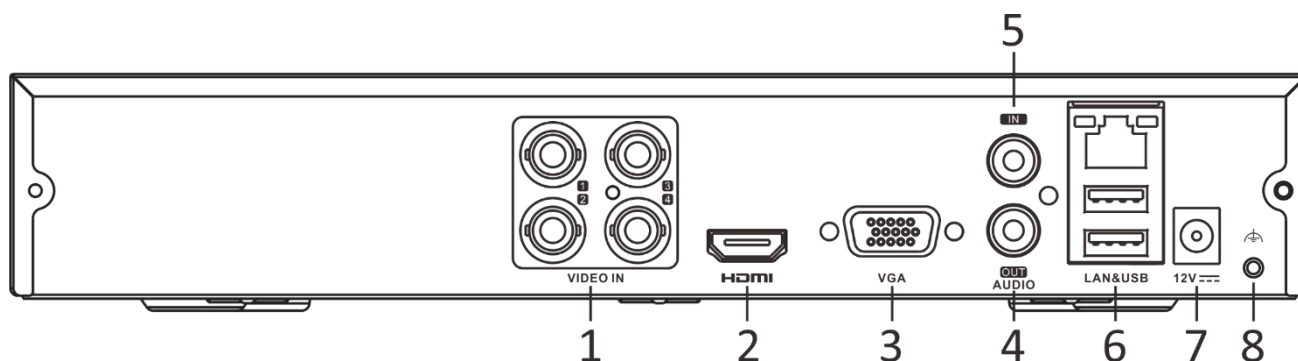
- HiLookVision & DDNS (Dynamic Domain Name System) for easy network management

▪ Specification

Motion Detection 2.0	
Human/Vehicle Analysis	<p>Deep learning-based motion detection 2.0 is enabled by default for all analog channels, it can classify human and vehicle, and extremely reduce false alarms caused by objects like leaves and lights;</p> <p>Quick search by object or event type is supported;</p>
Recording	
Video Compression	H.265 Pro+/H.265 Pro/H.265/H.264+/H.264
Encoding Resolution	<p>For 1080p stream access: 1080p Lite/720p Lite/WD1/4CIF/VGA/CIF</p> <p>For 720p stream access: 720p/WD1/4CIF/VGA/CIF</p> <p>For SD stream access: WD1/4CIF/VGA/CIF</p>
Frame Rate	<p>Main stream:</p> <p>For 1080p stream access: 1080p Lite/720p Lite/WD1/4CIF/VGA/CIF@25 fps(P)/30 fps (N)</p> <p>For 720p stream access: 720p/WD1/4CIF/VGA/CIF@ 25fps (P)/30 fps (N)</p> <p>For SD stream access: WD1/4CIF/VGA/CIF@25 fps (P)/30 fps (N)</p> <p>Sub-stream:</p> <p>4CIF@15fps; CIF/QVGA@25 fps (P)/30 fps (N)</p>
Video Bitrate	32 Kbps to 4 Mbps
Stream Type	Video, Video & Audio
Audio Compression	G.711u
Audio Bitrate	64 Kbps
Video and Audio	
IP Video Input	<p>1-ch (up to 5-ch)</p> <p>Up to 1080p resolution</p> <p>Support H.265+/H.265/H.264+/H.264 IP cameras</p>
Analog Video Input	<p>4-ch</p> <p>BNC interface (1.0 Vp-p, 75 Ω), supporting coaxitron connection</p>
HDTVI Input	1080p25, 1080p30, 720p25, 720p30
AHD Input	1080p25, 1080p30, 720p25, 720p30
HDCVI Input	1080p25, 1080p30, 720p25, 720p30
CVBS Input	Support
HDMI Output	1-ch, 1920 × 1080/60Hz, 1280 × 1024/60Hz, 1280 × 720/60Hz
VGA Output	1-ch, 1920 × 1080/60Hz, 1280 × 1024/60Hz, 1280 × 720/60Hz
Video Output Mode	HDMI/VGA simultaneous output
Audio Input	<p>1-ch RCA (2.0 Vp-p, 1 KΩ)</p> <p>4-ch via coaxial cable</p>

Audio Output	1-ch, RCA (Linear, 1 K Ω)
Two-Way Audio	Reuse the first audio input
Synchronous playback	4-ch
Network	
Total Bandwidth	64 Mbps
Network Protocol	TCP/IP, PPPoE, DHCP, HiLookVision, DNS, DDNS, NTP, SADP, SMTP, NFS, iSCSI, UPnP™, HTTPS
Remote Connection	32
Network Interface	1, RJ45 10/100 Mbps self-adaptive Ethernet interface
Auxiliary Interface	
SATA	1 SATA interface
Capacity	Up to 4 TB capacity for each disk
USB Interface	Rear panel: 2 × USB 2.0
Alarm In/Out	N/A
General	
Power Supply	12 VDC, 1.5 A
Consumption	≤ 16 W (without HDD)
Working Temperature	-10 °C to 55 °C (14 °F to +31 °F)
Working Humidity	10% to 90%
Dimension (W × D × H)	260 × 222 × 45 mm (10.2 × 8.7 × 1.8 inch)
Weight	≤ 0.8 kg (without HDD, 1.8 lb.)

Physical Interface



No.	Description	No.	Description
1	Video and coaxial audio in	5	AUDIO IN, RCA connector
2	HDMI interface	6	LAN network interface and USB interface
3	VGA interface	7	12 VDC power input
4	AUDIO OUT, RCA connector	8	GND

Available Model

DVR-204G-K1



Headquarters

No.555 Qianmo Road, Binjiang District,
Hangzhou 310051, China
T +86-571-8807-5998
Technical Support: support@hikvision.com

Follow us on social media to get the latest product and solution information.



Hikvision



HikvisionHQ



HikvisionHQ



Hikvision_Global



Hikvision
Corporate Channel



hikvisionhq