

Part Numbers
VTB-32E

Description
24 Volt 32 Tone Sounder Beacon - EN 54-3 Approved
Units are available with a Deep or Shallow base. Lens colour options available are red or amber.

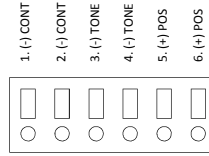
Voltage Range
21 - 28Vdc

For any technical queries please contact:

Tel: + 44 (0) 1420 592 444

E-mail: technical@cranfordcontrols.com

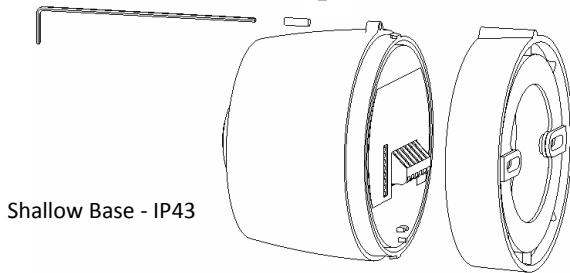
1			FLASH ONLY ON / OFF	
2	o	—	TONE SELECTION (SEE TABLE)	
3	o	—		
4	o	—		
5	o	—		
6	o	—	VOLUME SELECTION	
7	A	C		C + D HIGH
8	B	D		D + A MEDIUM
				A + B LOW



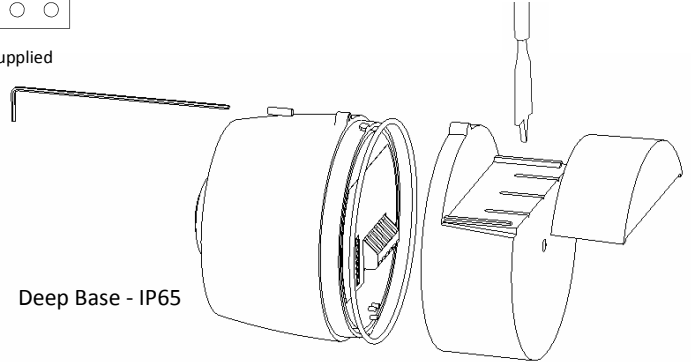
*For tone wire neg to term 3 and/or 4
For 2nd tone wire neg to 1 and/or 2
Note that the 2nd tone will over-ride tone*

All VTB sounder/beacons are delivered with the volume set to high and tone set to 11111 (Cranford sweep)

Allen key not supplied



Shallow Base - IP43



Deep Base - IP65

A suitable gland for the cable entry and a sealant for the screw mounting holes should be used to maintain the IP integrity of the product.

Full datasheet available - DS109F

Doc No: 125-070

Issue No: 002

www.cranfordcontrols.com

MADE IN UK



Part Numbers
VTB-32E

Description
24 Volt 32 Tone Sounder Beacon - EN 54-3 Approved
Units are available with a Deep or Shallow base. Lens colour options available are red or amber.

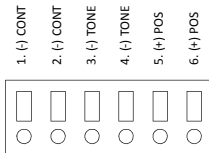
Voltage Range
21 - 28Vdc

For any technical queries please contact:

Tel: + 44 (0) 1420 592 444

E-mail: technical@cranfordcontrols.com

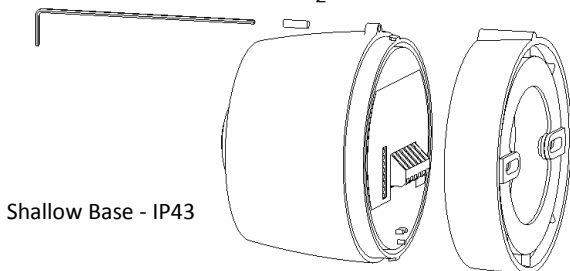
1			FLASH ONLY ON / OFF	
2	o	—	TONE SELECTION (SEE TABLE)	
3	o	—		
4	o	—		
5	o	—		
6	o	—	VOLUME SELECTION	
7	A	C		C + D HIGH
8	B	D		D + A MEDIUM
				A + B LOW



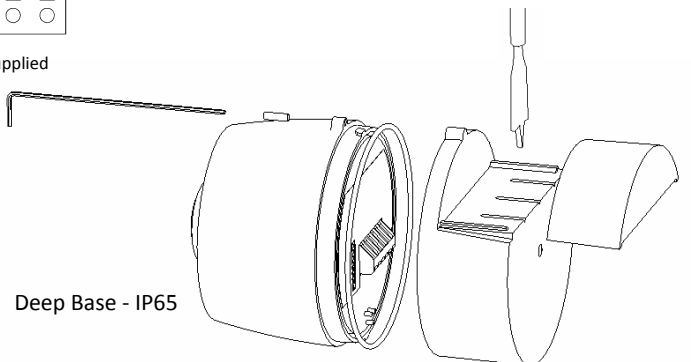
*For tone wire neg to term 3 and/or 4
For 2nd tone wire neg to 1 and/or 2
Note that the 2nd tone will over-ride tone*

All VTB sounder/beacons are delivered with the volume set to high and tone set to 11111 (Cranford sweep)

Allen key not supplied



Shallow Base - IP43



Deep Base - IP65

A suitable gland for the cable entry and a sealant for the screw mounting holes should be used to maintain the IP integrity of the product.

Full datasheet available - DS109F

Doc No: 125-070

Issue No: 002

www.cranfordcontrols.com

MADE IN UK



Approved Tones in Bold

No.	Tone	Description	Switch 23456	Second Stage Alarm	Typical Current (mA) Tone			Typical Sound Output (dBa) Tone		
					L	M	H	L	M	H
1	LF Sweep (Cranford sweep)	800-1000 Hz	11111	800 Hz cont	9	14	19	78	93	97
2	Alternative warble BS standard	800/960 Hz at 2 Hz	11110	800 Hz cont	10	16	32	89	105	109
3	Warble Tone BS standard	800/1000 Hz @ 0.5 sec	11101	800 Hz cont	10	17	34	89	105	109
4	Alternative warble BS standard	500/600 Hz @ 2 Hz	11100	500 Hz cont	9	15	28	88	103	106
5	HF Back up Interrupted tone	2800 Hz @ 1.0 sec on/off	11011	2800 Hz cont	11	18	34	96	110	117
6	LF Back up Alarm	800 Hz @ 150 msec on/off	11010	800 Hz cont	9	17	30	86	101	104
7	HF Back up Interrupted tone - fast	2800 Hz @ 150 msec on/off	11001	800 Hz cont	11	18	34	95	109	115
8	LF Continuous tone BS5839	800 Hz cont	11000	Same tone	9	13	17	79	93	96
9	Sweep tone (1 Hz)	800/900 Hz @ 1Hz	10111	800 Hz cont	10	16	31	91	106	110
10	Australian slow whoop	Intermittent 970 Hz 0.625 ms on/0.625 ms off	10110	500-1200 Hz 3.75 sec on 0.25 sec off	10	16	32	91	106	110
11	Dutch sweep tone	970 Hz cont	10101	500-1200 Hz 3.5 sec on 0.5 sec off	9	13	18	79	94	97
12	Analogue sweep tone	500/600 Hz @ 2 Hz	10100	500 Hz cont	9	15	27	87	103	107
13	Sweep tone (3 Hz)	800/970 Hz @ 3 Hz	10011	800 Hz cont	9	17	32	91	106	110
14	Alternate HF slow sweep	2350/2900 Hz @ 3 Hz	10010	2400 Hz cont	10	19	36	96	109	115
15	Fast HF sweep	2400-2800 Hz @ 7 Hz	10001	2400 Hz cont	10	18	36	96	109	115
16	US Temporal Pattern LF	950 Hz for 0.5 sec on 0.5 sec off x 3 then 1.5 sec then repeat	10000	800 Hz cont	9	16	32	89	105	109
17	Interrupted tone BS standard	Interrupted tone 800 Hz @ 0.5 sec on/off	01111	800 Hz cont	9	16	32	87	102	105
18	ISO 8201 LF BS5839 Pt 1 1988	Intermittent 970 Hz 500 ms on / 500 ms off	01110	Same tone	9	17	32	88	104	109
19	Interrupted tone medium	1000 Hz @ 0.25 sec on / off	01101	800 Hz cont	10	17	34	89	104	108
20	ISO8201 HF	Intermittent 2850 Hz 500 ms on / 500 ms off	01100	Same tone	10	18	34	95	109	115
21	Continuous tone	1000 Hz continuous	01011	Same tone	10	18	34	89	104	108
22	LF Buzz	800-950 Hz swept at 110 Hz	01010	800 Hz cont	10	16	32	90	105	109
23	HF Continuous	2800 Hz	01001	2800 Hz cont	11	18	34	95	110	116
24	Sweep tone (9 Hz)	800-970 Hz @ 9 Hz	01000	800 Hz cont	9	16	32	90	105	109
25	German DIN tone	Sweep 1200-500 Hz @ 1 Hz	00111	800 Hz cont	8	12	15	78	93	96
26	Swedish Fire signal	Intermittent 660 Hz 150 ms on / 150 ms off	00110	Same tone	9	15	29	87	103	107
27	French tone AFNOR	554 Hz for 100 ms and 440 Hz for 400 ms	00101	800 Hz cont	8	10	13	76	91	94
28	Swedish all clear signal	Continuous 660 Hz	00100	Same tone	8	15	28	88	105	108
29	US Temporal Pattern HF	2900 Hz for 0.5 sec on 0.5 off x 3 then off for 1.5 sec then repeat	00011	2900 Hz cont	9	16	32	93	107	115
30	Siren 2 way ramp (short)	500/1200 Hz rising then falling 0.25 sec	00010	800 Hz cont	9	17	34	88	104	108
31	FP1063.1-Telecom	Alternating tone 800/970 Hz @ 2 Hz	00001	800 Hz cont	9	17	32	89	105	108
32	Siren 2 way ramp (long)	500/1200 Hz 3 sec rising / 3 sec falling	00000	800 Hz cont	10	17	34	90	106	110
	Continuous tone	500 Hz Continuous	-	-	9	14	27	88	104	106
	Dutch Tone (Override tone)	500-1200 Hz 3.5 sec on and 0.5 sec off	-	-	10	18	35	90	106	110
	Australian Slow Whoop (Override Tone)	Sweep 500-1200 Hz 3.75 sec on	-	-	10	18	35	91	106	110
	Continuous Tone	2400 Hz Continuous	-	-	10	19	35	91	107	110
	Continuous Tone	2900 Hz Continuous	-	-	10	19	37	96	110	116

Approved Tones in Bold

No.	Tone	Description	Switch 23456	Second Stage Alarm	Typical Current (mA) Tone			Typical Sound Output (dBa) Tone		
					L	M	H	L	M	H
1	LF Sweep (Cranford sweep)	800-1000 Hz	11111	800 Hz cont	9	14	19	78	93	97
2	Alternative warble BS standard	800/960 Hz at 2 Hz	11110	800 Hz cont	10	16	32	89	105	109
3	Warble Tone BS standard	800/1000 Hz @ 0.5 sec	11101	800 Hz cont	10	17	34	89	105	109
4	Alternative warble BS standard	500/600 Hz @ 2 Hz	11100	500 Hz cont	9	15	28	88	103	106
5	HF Back up Interrupted tone	2800 Hz @ 1.0 sec on/off	11011	2800 Hz cont	11	18	34	96	110	117
6	LF Back up Alarm	800 Hz @ 150 msec on/off	11010	800 Hz cont	9	17	30	86	101	104
7	HF Back up Interrupted tone - fast	2800 Hz @ 150 msec on/off	11001	800 Hz cont	11	18	34	95	109	115
8	LF Continuous tone BS5839	800 Hz cont	11000	Same tone	9	13	17	79	93	96
9	Sweep tone (1 Hz)	800/900 Hz @ 1Hz	10111	800 Hz cont	10	16	31	91	106	110
10	Australian slow whoop	Intermittent 970 Hz 0.625 ms on/0.625 ms off	10110	500-1200 Hz 3.75 sec on 0.25 sec off	10	16	32	91	106	110
11	Dutch sweep tone	970 Hz cont	10101	500-1200 Hz 3.5 sec on 0.5 sec off	9	13	18	79	94	97
12	Analogue sweep tone	500/600 Hz @ 2 Hz	10100	500 Hz cont	9	15	27	87	103	107
13	Sweep tone (3 Hz)	800/970 Hz @ 3 Hz	10011	800 Hz cont	9	17	32	91	106	110
14	Alternate HF slow sweep	2350/2900 Hz @ 3 Hz	10010	2400 Hz cont	10	19	36	96	109	115
15	Fast HF sweep	2400-2800 Hz @ 7 Hz	10001	2400 Hz cont	10	18	36	96	109	115
16	US Temporal Pattern LF	950 Hz for 0.5 sec on 0.5 sec off x 3 then 1.5 sec then repeat	10000	800 Hz cont	9	16	32	89	105	109
17	Interrupted tone BS standard	Interrupted tone 800 Hz @ 0.5 sec on/off	01111	800 Hz cont	9	16	32	87	102	105
18	ISO 8201 LF BS5839 Pt 1 1988	Intermittent 970 Hz 500 ms on / 500 ms off	01110	Same tone	9	17	32	88	104	109
19	Interrupted tone medium	1000 Hz @ 0.25 sec on / off	01101	800 Hz cont	10	17	34	89	104	108
20	ISO8201 HF	Intermittent 2850 Hz 500 ms on / 500 ms off	01100	Same tone	10	18	34	95	109	115
21	Continuous tone	1000 Hz continuous	01011	Same tone	10	18	34	89	104	108
22	LF Buzz	800-950 Hz swept at 110 Hz	01010	800 Hz cont	10	16	32	90	105	109
23	HF Continuous	2800 Hz	01001	2800 Hz cont	11	18	34	95	110	116
24	Sweep tone (9 Hz)	800-970 Hz @ 9 Hz	01000	800 Hz cont	9	16	32	90	105	109
25	German DIN tone	Sweep 1200-500 Hz @ 1 Hz	00111	800 Hz cont	8	12	15	78	93	96
26	Swedish Fire signal	Intermittent 660 Hz 150 ms on / 150 ms off	00110	Same tone	9	15	29	87	103	107
27	French tone AFNOR	554 Hz for 100 ms and 440 Hz for 400 ms	00101	800 Hz cont	8	10	13	76	91	94
28	Swedish all clear signal	Continuous 660 Hz	00100	Same tone	8	15	28	88	105	108
29	US Temporal Pattern HF	2900 Hz for 0.5 sec on 0.5 off x 3 then off for 1.5 sec then repeat	00011	2900 Hz cont	9	16	32	93	107	115
30	Siren 2 way ramp (short)	500/1200 Hz rising then falling 0.25 sec	00010	800 Hz cont	9	17	34	88	104	108
31	FP1063.1-Telecom	Alternating tone 800/970 Hz @ 2 Hz	00001	800 Hz cont	9	17	32	89	105	108
32	Siren 2 way ramp (long)	500/1200 Hz 3 sec rising / 3 sec falling	00000	800 Hz cont	10	17	34	90	106	110
	Continuous tone	500 Hz Continuous	-	-	9	14	27	88	104	106
	Dutch Tone (Override tone)	500-1200 Hz 3.5 sec on and 0.5 sec off	-	-	10	18	35	90	106	110
	Australian Slow Whoop (Override Tone)	Sweep 500-1200 Hz 3.75 sec on	-	-	10	18	35	91	106	110
	Continuous Tone	2400 Hz Continuous	-	-	10	19	35	91	107	110
	Continuous Tone	2900 Hz Continuous	-	-	10	19	37	96	110	116