

Datasheet

ELECTRO-MAGNETIC LOCKS/ VIR-A5 - Wall-mount magnetic door holder

Product description

The VIR-A5 is a door holder mounted on the wall. It's part of the CDVI range of door holders providing the retention of doors in the open position, which will be released under fire conditions.

The VIR Series operates at 24Vdc (same as Fire Alarms) and is ideal for hotels, hospitals, public buildings etc. The holding force of 50kg is sufficient to retain even the heaviest of doors.

All the VIR door holders are fail-safe to ensure full compliance, and each model includes a test button to easily check the operation.



Key features

- Wall-mount door holder
- Up to 50kg holding force
- Test button
- Universal armature
- All VIR units are CE EN1155 certified

 *Certification*

 *DEEE*

 *Certification*

 *IP42*

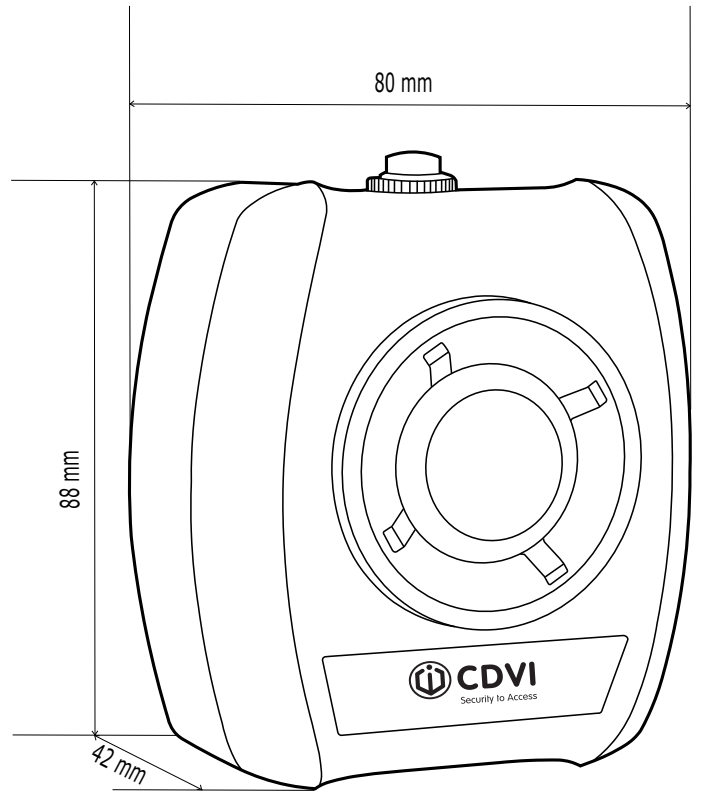
All the information contained within this document (pictures, drawing, features, dimensions, specifications), could be perceptibly different and can be changed without prior notice. - March 2020 - CDVI_VIR-A5_DS_01_EN_A4_C

Product Specifications

Holding force: Up to 50kg
Extension mount available:
REF: [SUP-VR-REG](#)

Electrical Specifications

Voltage: 24Vdc
Current: 80mA



All the information contained within this document (pictures, drawing, features, dimensions, specifications), could be perceptibly different and can be changed without prior notice. - March 2020 - CDVL_VIR-A5_DS_01_EN_A4_C