

Quantec

Wiring instructions for:

- QT602 Addressable Call Point Range
- QT609 Addressable Call Point Range
- QT602D Slave Call Point
- QT302RX Master IR Ceiling Receiver Range
- QT302RXS Slave IR Ceiling Receiver Range
- QT606 Slave Overdoor (OD) Light
- QT606S Slave OD Light c/w Sounder
- QT607 Ceiling Pull

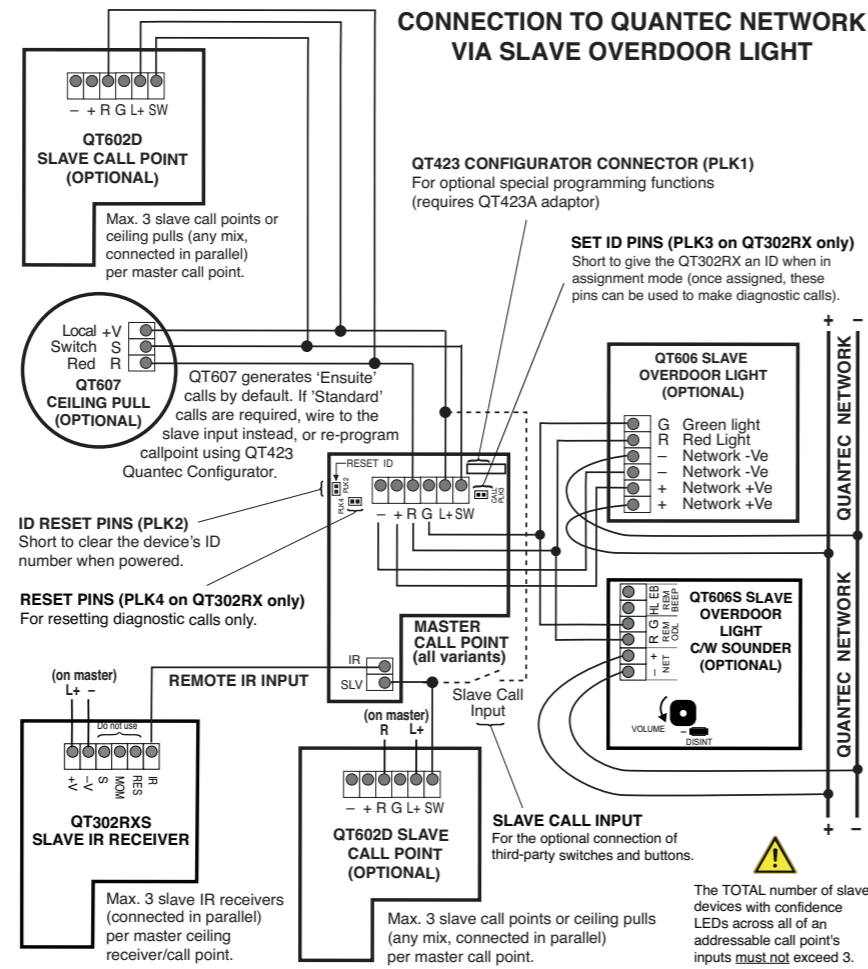
This instruction leaflet shows examples of two common wiring methods for Quantec Addressable Call Points/IR Ceiling Receivers (all variants) with connections to typical slave devices. One method is shown adjacent, the other appears overleaf.

For detailed wiring, installation and programming information - including important compatibility information relating to a master call point's optional special programming functions - please refer to the main Quantec Installation manual, document no. DNU6012001.

Important note regarding IR devices:

Due to the high-risk environments in which infrared devices are likely to be used, be sure to install them so the best possible reception is achieved. If in doubt, contact your supplier for advice.

Approved Document No. DNU6020001 Rev 8



Quantec

Wiring instructions for:

- QT602 Addressable Call Point Range
- QT609 Addressable Call Point Range
- QT602D Slave Call Point
- QT302RX Master IR Ceiling Receiver Range
- QT302RXS Slave IR Ceiling Receiver Range
- QT606 Slave Overdoor (OD) Light
- QT606S Slave OD Light c/w Sounder
- QT607 Ceiling Pull

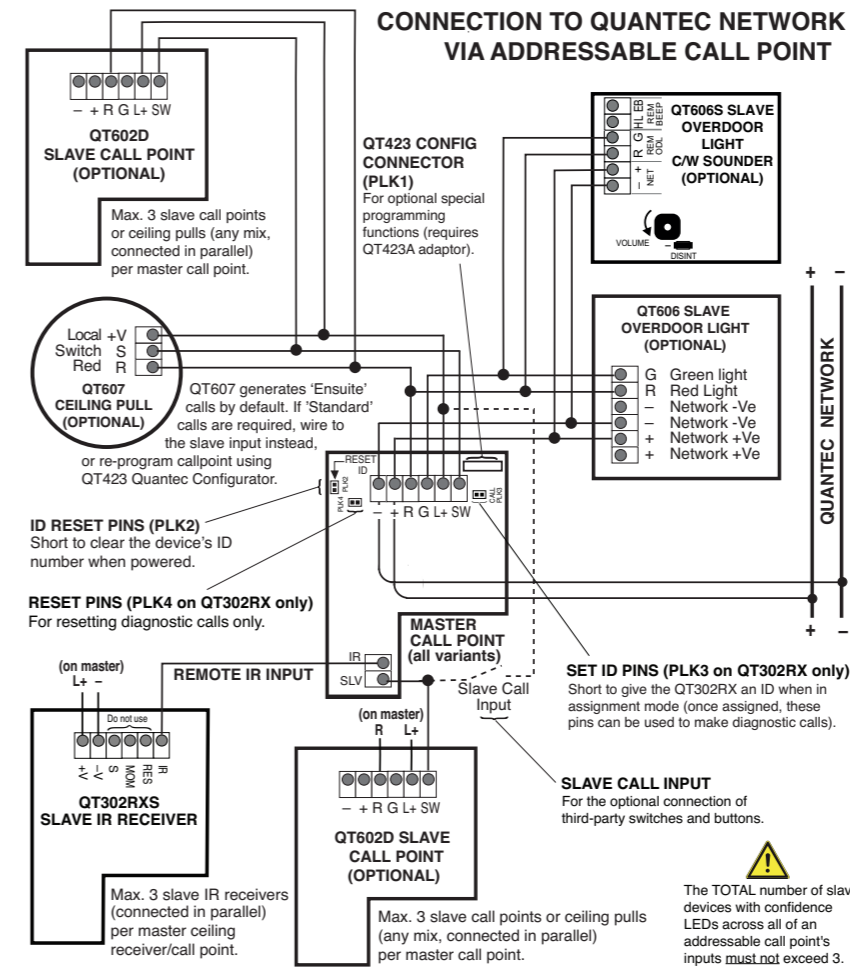
This instruction leaflet shows examples of two common wiring methods for Quantec Addressable Call Points/IR Ceiling Receivers (all variants) with connections to typical slave devices. One method is shown adjacent, the other appears overleaf.

For detailed wiring, installation and programming information - including important compatibility information relating to a master call point's optional special programming functions - please refer to the main Quantec Installation manual, document no. DNU6012001.

Important note regarding IR devices:

Due to the high-risk environments in which infrared devices are likely to be used, be sure to install them so the best possible reception is achieved. If in doubt, contact your supplier for advice.

Approved Document No. DNU6020001 Rev 8



Quantec

Wiring instructions for:

- QT602 Addressable Call Point Range
- QT609 Addressable Call Point Range
- QT602D Slave Call Point
- QT302RX Master IR Ceiling Receiver Range
- QT302RXS Slave IR Ceiling Receiver Range
- QT606 Slave Overdoor (OD) Light
- QT606S Slave OD Light c/w Sounder
- QT607 Ceiling Pull

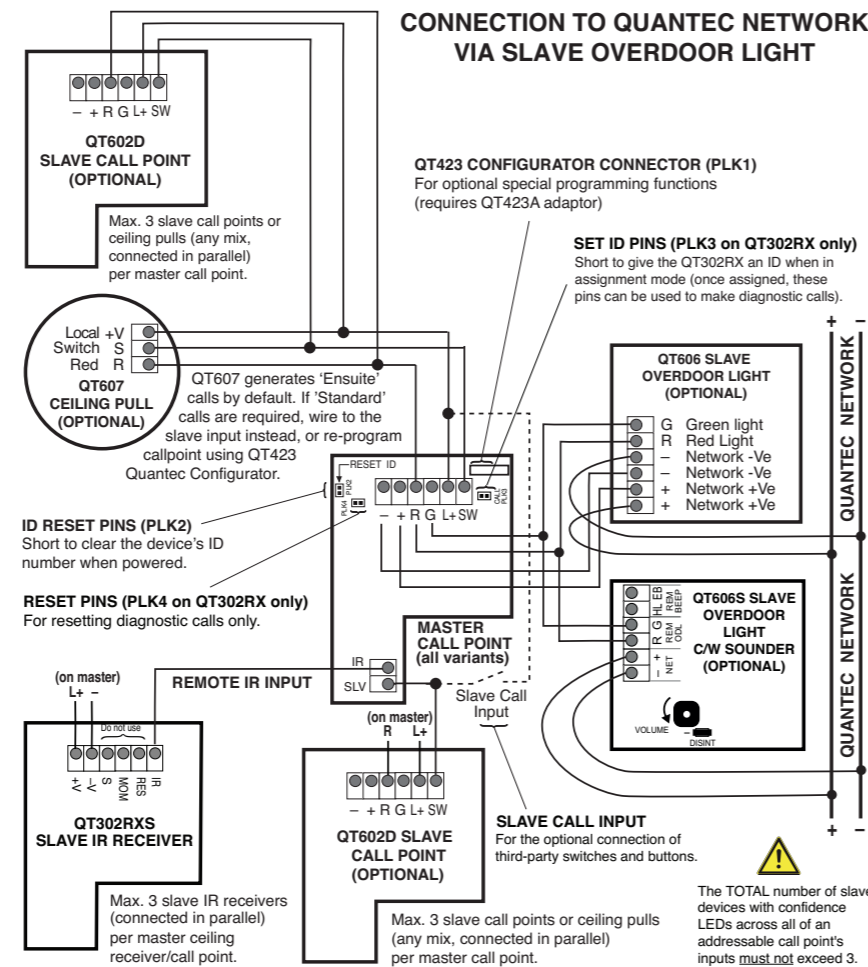
This instruction leaflet shows examples of two common wiring methods for Quantec Addressable Call Points/IR Ceiling Receivers (all variants) with connections to typical slave devices. One method is shown adjacent, the other appears overleaf.

For detailed wiring, installation and programming information - including important compatibility information relating to a master call point's optional special programming functions - please refer to the main Quantec Installation manual, document no. DNU6012001.

Important note regarding IR devices:

Due to the high-risk environments in which infrared devices are likely to be used, be sure to install them so the best possible reception is achieved. If in doubt, contact your supplier for advice.

Approved Document No. DNU6020001 Rev 8



Quantec

Wiring instructions for:

- QT602 Addressable Call Point Range
- QT609 Addressable Call Point Range
- QT602D Slave Call Point
- QT302RX Master IR Ceiling Receiver Range
- QT302RXS Slave IR Ceiling Receiver Range
- QT606 Slave Overdoor (OD) Light
- QT606S Slave OD Light c/w Sounder
- QT607 Ceiling Pull

This instruction leaflet shows examples of two common wiring methods for Quantec Addressable Call Points/IR Ceiling Receivers (all variants) with connections to typical slave devices. One method is shown adjacent, the other appears overleaf.

For detailed wiring, installation and programming information - including important compatibility information relating to a master call point's optional special programming functions - please refer to the main Quantec Installation manual, document no. DNU6012001.

Important note regarding IR devices:

Due to the high-risk environments in which infrared devices are likely to be used, be sure to install them so the best possible reception is achieved. If in doubt, contact your supplier for advice.

Approved Document No. DNU6020001 Rev 8

