



IDEAL FOR
CCTV
INSTALLS

BT5952

ACCESSORY COLLAR FOR Ø38MM POLES

The BT5952 is a Ø38mm Accessory Collar from B-Tech's System V Range; a collection of components designed for the installation of CCTV and other ceiling mounted equipment. Designed for use with BT5935 Ø38mm poles, the collar features dual fixing points for single or back-to-back installations and enables interfaces such as flat screen mounts to be attached to poles, allowing professionals to customise ceiling mounted security solutions to their specific requirement.

SPECIFICATION

Compatible pole diameter:	Ø38mm
Collars per pack	1
Colour	White

FEATURES

- Allows a wide range of mounts and accessories to be fitted to Ø38mm poles
- Dual fixing points allow back-to-back installations onto a single collar
- Safety bolt ensures accessories are fixed securely to the pole
- Made with heavy-duty steel for durability
- Includes cover plate for a smart installation



Made with heavy-duty steel for durability



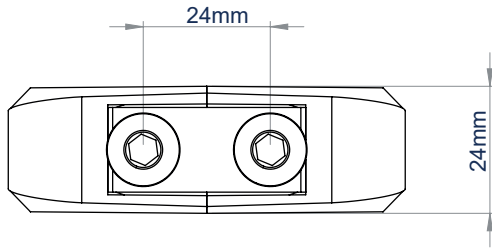
Dual fixing points allow back-to-back installations onto a single collar



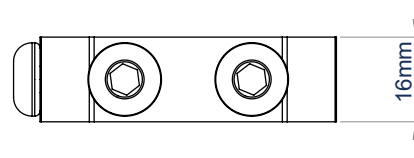
Allows a wide range of mounts and accessories to be fitted to Ø38mm poles



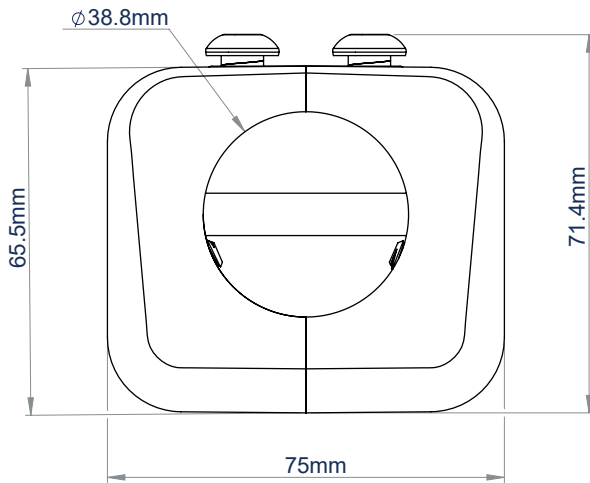
Safety bolt ensures accessories are fixed securely to the pole



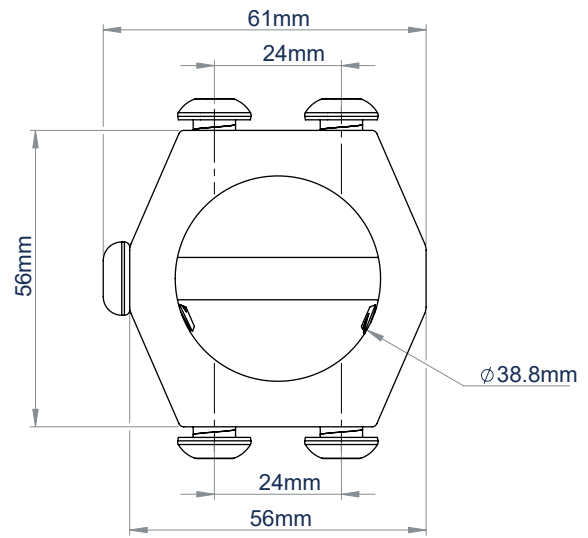
FRONT VIEW WITH COVER PLATE



FRONT VIEW



TOP VIEW WITH COVER PLATE

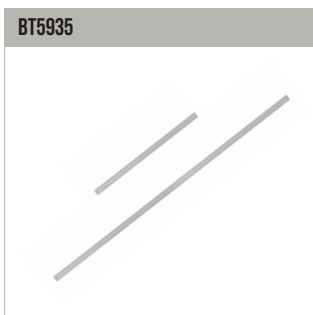


TOP VIEW

PACKING INFORMATION

COLOUR:	ORDER REF:	EAN CODE:	CARTON QTY:	INNER CARTON QTY:	MASTER CARTON WEIGHT:	MASTER CARTON CUBE:
White	BT5952/W	5019318304101	52	N/A	10kg	0.017cbm

RELATED PRODUCTS



38mm diameter poles
Available in 1 metre or 2 metre lengths



Fixed Ceiling Mount
Mounts a BT5935 38mm pole to the ceiling



Flat Screen Mount
Attach screens with fixings up to VESA 100 to a BT5952 Accessory Collar



Flat Screen Mount with Tilt
Attach screens with fixings up to VESA 100 to a BT5952 Accessory Collar

© 2015 B-Tech Av Mounts. All rights reserved. This information is for informational purposes only and does not constitute an offer of any product. B-Tech Av Mounts and its associated logos are registered trademarks of B-Tech Av Mounts. All other trademarks are the property of their respective owners. B-Tech Av Mounts is not responsible for any damage caused by improper or unauthorized use of its products. Any reproduction or distribution of any part of this specification is strictly prohibited unless prior written permission has been granted by B-Tech Av Mounts. SS-V1-BT5952-W-230321-EN