



# AlarmSense Open-Area Alarm Devices

## FUNCTION

The AlarmSense Open-Area Alarm Devices are zone powered, wall mounted devices which are connected to an AlarmSense system.

The range comprises sounder, beacon and sounder beacon, all designed to fit to a common mounting base. Details are shown in Table 1 below.

The AlarmSense Open-Area Alarm Devices are available in the following options:

Part Number	Description
55000-017	AlarmSense Open-Area Sounder Beacon
55000-018	AlarmSense Open-Area Sounder
55000-035	AlarmSense Open-Area Beacon

Table 1: Part number and descriptions

## FEATURES

The alarm devices offer:

- synchronisation of tones and flashes
- common 'first-fix' base
- device locking facility

## HOW ALARMSENSE WORKS

AlarmSense sounders and manual call points are fitted to the same zone as detectors. In quiescent state, the zone is powered at between 9V and 15V, nominally 12V, at which only detectors and call points operate. Sounders require 24V to operate.



AlarmSense Open-Area Alarm Devices (Beacon shown)

When an alarm is detected on a zone, the control panel increases the line voltage to 24V on that zone causing the sounders to produce a continuous 'Evacuate' sound. Any voltage-sensitive output devices - relay modules or other alarm devices - also operate.

When the voltage is increased to 24V, the detector alarm current will reduce to 1.5mA. The detectors are latched in alarm until they are reset by reducing the voltage to less than 2V for greater than 1 second. Output devices will de-activate each time the voltage is reduced to 12V unless otherwise stated in their specification.

It is possible to generate an 'Alert' tone by pulsing the supply voltage from 12V to 24V and the sounders configured to continuous output. Pulse frequency of 1 second on, 1 second off, is recommended for compliance with BS5839 Pt1.

## HEAD REMOVAL MONITORING

Unauthorised removal of a sounder/beacon head results in the generation of a fault warning. In the event that a sounder/beacon has been removed, there will be no loss of power to any device on that zone.

## SYNCHRONISATION

Synchronisation is achieved by the control panel.

## MECHANICAL CONSTRUCTION

The alarm devices have a base which is fitted to the mounting surface and wired as a 'first fix'.

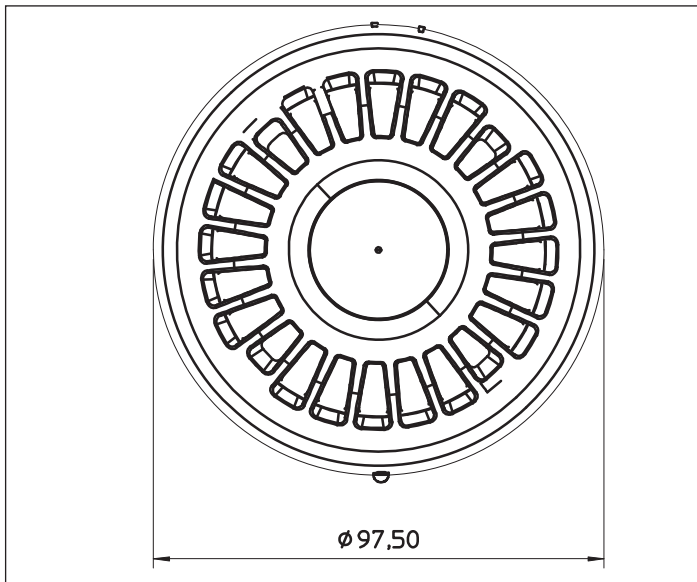
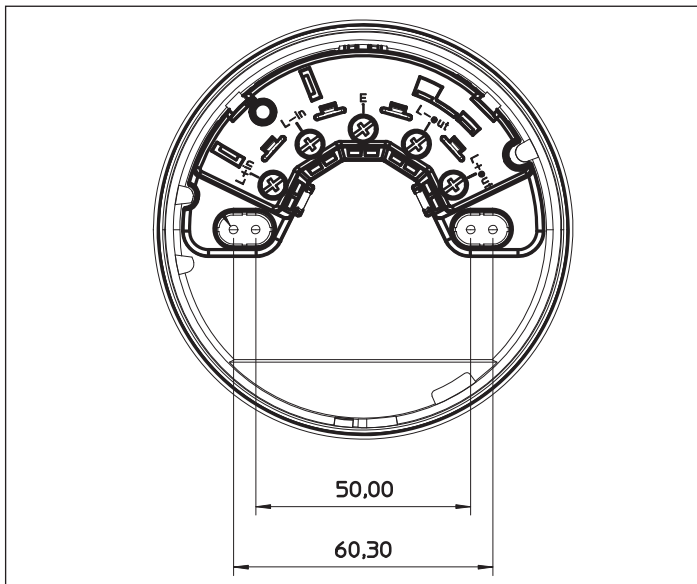
## DIMENSIONS AND WEIGHT OF ALARM DEVICES:

All models: 104 x 97.5mm

Weight, sounder	225g
sounder beacon	260g
beacon	205g

## DIMENSIONAL DRAWINGS

All measurements shown are in mm.



## TECHNICAL DATA

Quiescent Current at 12V	<100 $\mu$ A
Maximum Surge Current	200 $\mu$ A
Head Removal load	47 $\Omega$ for 10ms every 4s
Polarity	Polarity insensitive
Operated Current (Nominal) @ 24V	
Sounder	17.5mA
Beacon	8mA
Sounder Beacon	19mA
Sound Output (Head)	up to 99dB(A) at 1m
IP rating	65
	No condensation or icing

*Note: All dB(A) figures are to within  $\pm 3$ dB(A)*

*A maximum of five Open-Area Alarm Devices to be connected per zone, if you require more than five please contact Apollo Technical Sales by emailing [techsales@apollo-fire.co.uk](mailto:techsales@apollo-fire.co.uk).*

